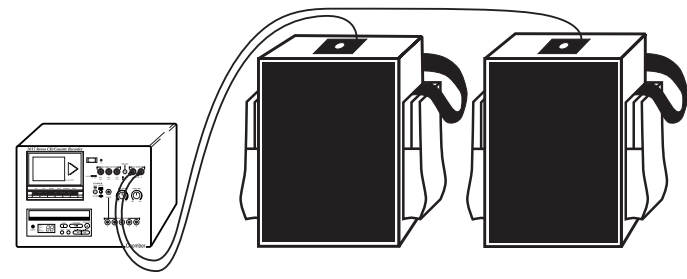


## Using your 2017 CD Cassette Recorder with Coomber accessories



### Connecting to Coomber booster speakers / external amplifier (7)

The 2017 is designed to be compatible with **Coomber Booster Speakers** (model no. 2185/2186) which are ideal for increasing sound level.

**Note:** the 2017 requires 2 booster speakers for effective stereo operation (as shown in the illustration above). Use **EXT AMP L & R** (7) outputs to connect to an external amplifier, **Coomber Booster Speakers** or a mixing desk.

The output level is not fixed and may be adjusted by using the **VOLUME** and **BALANCE** controls.

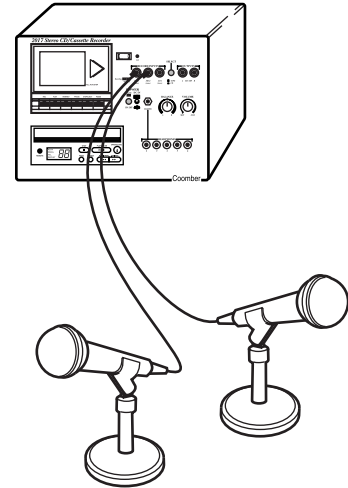
2 x Coomber 2185 or 2186 booster speaker will upgrade your 2017 to around 300 watts of music power. Phone: **01905 25168** for more information.

### Headphone Group Listening for more than six positions

Connecting our six position stereo headphone distribution system, 1908/PK C, to one of the stereo headphone sockets will allow up to eleven people to listen through headphones any one time.

### Copyright

Your attention is drawn to the fact that copying pre-recorded tapes, CD's or other published material may infringe copyright laws.



### Coomber Microphones and Desk Stands

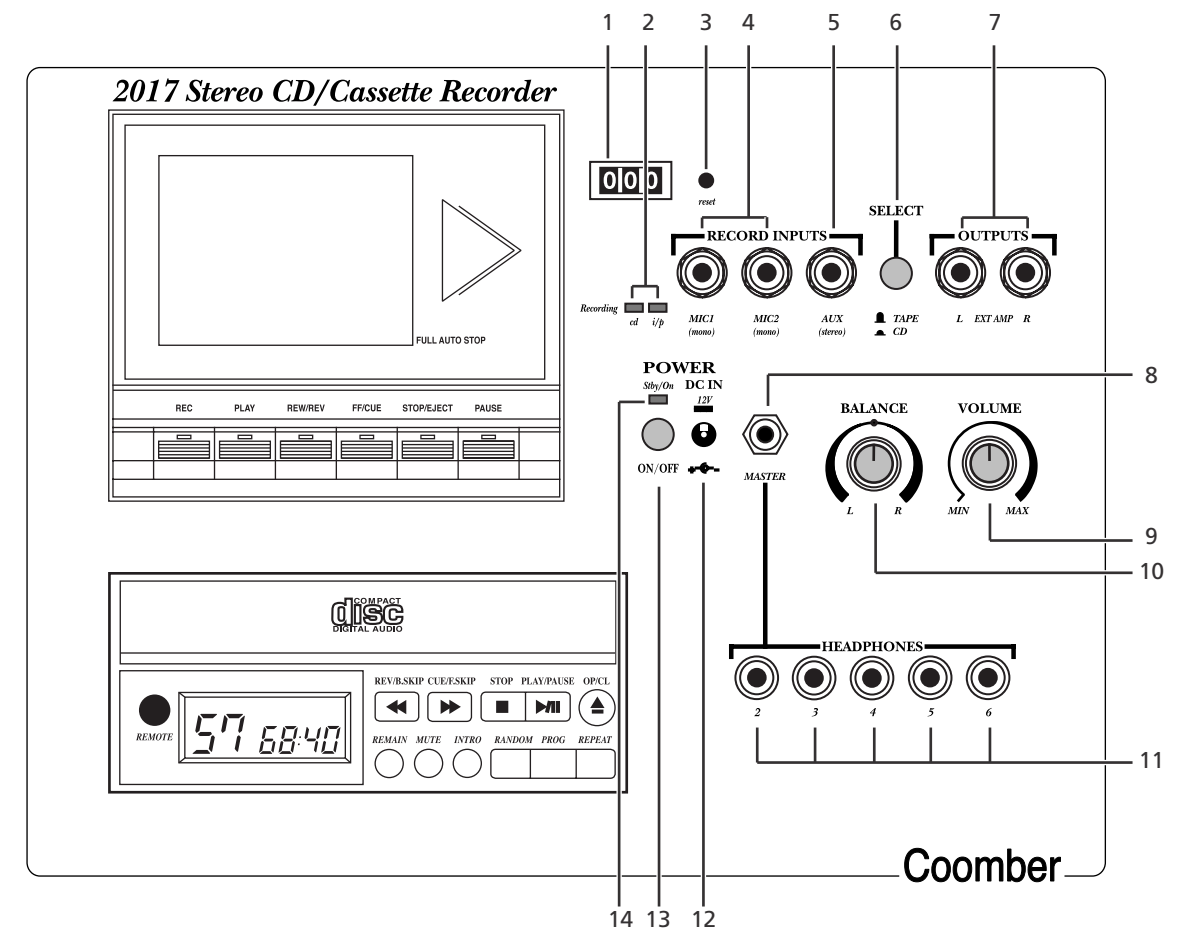
For assessment recording purposes Coomber models 1808 live performance microphone and 1918 dynamic microphone are both suitable for use with the 2017.

Both microphones can be used with the Coomber 1912 desk stand, making them ideal for use in an examination environment.

Simply plug the microphones into the microphone sockets (4), switch on and begin recording to cassette for high quality results.

## Operating Instructions: 2017 CD Player & Cassette

Coomber



**PLEASE NOTE: ALWAYS CLOSE THE CD TRAY (1) WITH THE UNIT SWITCHED ON. PUSHING THE TRAY CLOSED WITH THE POWER OFF MAY LEAD TO DAMAGE DURING SUBSEQUENT TRANSPORTATION.**

### Power from Mains (13)

When connected to the Mains, the indicator (14) will glow red. Press **POWER** button (13) IN to power equipment - the indicator (14) will glow **yellow**. The LCD display will also be backlit.

### EXT D.C. Input Socket (12)

A standard Roka connector allows the 2017 to operate from an external 12V DC supply. Please observe the correct polarity - shown below the D.C. Input Socket (12).

Disconnect the DC supply when not in use.

Suitable batteries include 12V car batteries (directly connected or via an auxiliary socket such as the cigar lighter) or a Coomber 1959 rechargeable battery (which must be recharged using our 1958 charger).

### Volume control (9)

To protect listeners, always adjust the volume control (9) to minimum before playing a CD - **particularly if headphones are being used**. Turn the volume level up once the CD is playing.

If necessary restart the CD once the volume level is set.

### Balance Control (10)

The balance control (10) allows fading between the speakers. Maximum output of both speakers is achieved when the dial is set to the centre point.

When turned fully left, the right hand speaker cuts out completely and vice versa - ideal where music is recorded on one track and voices on the other.

### Headphone Sockets (8 & 11)

Connecting Mono or Stereo headphones to the **MASTER** headphone socket (8) automatically disconnects the internal loudspeakers.

Up to five more pairs of headphones may be connected to Sockets (11).

**Note:** If the **MASTER** socket is not used, then the internal loudspeakers are not disconnected and sound will be reproduced through the internal loudspeakers and any headphones connected.

**SAFETY:** For safety you are advised to use only 600 ohm headphones such as Coomber 1929 headphones.

*Prior to using headphones, always turn the volume down, fit the headphones and then adjust the sound to a comfortable level.*

### Tape / CD Selector (6)

The **SELECT** button (6), should be pushed **IN** to play CDs or **OUT** to play cassette tapes.

### External Amplifier Outputs (7)

Use **EXT AMP L & R** (7) outputs to connect to an external amplifier, **Coomber Booster Speakers** or a mixing desk.

The output level is not fixed and may be adjusted by using the **VOLUME** and **BALANCE** controls.

## SAFETY & GENERAL INFORMATION

**WARNING: This equipment is fitted with a LASER diode which can harm the eyes**  
Do not attempt to disassemble the casing or use any part of the contents for any purpose other than its intended use.

**Headphones:** For personal safety and comfort connect headphones into equipment, turn volume down and then switch on **before** placing headphones over ears. For safety use only 600 ohm headphones (i.e Coomber type 1929).

**Environments:** The equipment should not be exposed to dust, moisture, water, chlorine and other corrosive substances in normal use or during storage. It will cause damage to this equipment.

**Swimming pool atmospheres:** are very hostile to all electro-mechanical equipment (e.g. steel rusts and rubber perishes). Equipment returned for repairs showing evidence of use in adverse environments may, at our discretion, be charged for even during the 12 month warranty period.

- Rechargeable battery replacement must be carried out by a competent qualified technician.
- The disposal of batteries (rechargeable or otherwise) where used in Coomber equipment should be discarded in accordance with local regulations.
- Do not cover the ventilation openings with any items (e.g. newspaper, fabrics etc.)
- Naked flames, such as lighted candles, should not be placed on or near the apparatus.
- The apparatus should not be exposed to dripping or splashing. No objects filled with liquids, such as vases, should be placed on or near the apparatus.

**European Safety Standard:** All Coomber equipment complies with EN60065. Any local requirements for use of this equipment should be taken into account.

**Class I construction:** This equipment must be **EARTHED**.

### Coomber Electronic Equipment Ltd.

Brindley Road, Warndon, Worcester, WR4 9FB, U.K.

Tel: 0044 (0)1905 342070

e-mail: sales@coomber.co.uk

Fax: 0044 (0)1905 759170

web: www.coomber.co.uk

### Mains Voltage

UK & EEC: 220-240V 50Hz: **Mains Cable:** Line - Brown, Neutral - Blue, Earth - Yellow & Green  
USA: 110-120V 60Hz: **Mains Cable:** Line - Black, Neutral - White, Earth - Green

**Isolate from mains supply when not in use by removing the plug from the wall socket.**

**Mains Plug:** The mains cable fitted to this equipment is already provided with a moulded plug. If another plug type is required, follow instructions from the plug manufacturer, or seek advice from a qualified person. **DISPOSE OF ORIGINAL PLUG SAFELY. DO NOT RE-USE.**

**Mains Plug fuse rating:** 3Amp to BS1362 (applicable in UK)

**Model type and rating information is located on a label on the rear of the product.**

**Additional Technical Information:** If you require any further help or information, or if any point is not clear, then please telephone **01905 342070** quoting your model number and serial number (located on a label on the rear of the product). Our Technical Department will be pleased to help you.

**Note:** This equipment contains no user serviceable parts and should only be disassembled and reassembled by competent qualified personnel. **Dismantling will render the warranty void.**

### Electrical Safety Testing:

- Safety testing and servicing should only be carried out by competent qualified personnel.
- When undertaking an earth bond safety test, only use the externally exposed metalwork. Do not test against internal metal components found inside tape mechanisms or CD trays - **THIS WILL LEAD TO IRREPARABLE INTERNAL DAMAGE.**
- The supply cable is part of a special assembly. **If damaged the equipment should be returned to Coomber Electronic Equipment Limited or their agent for cable replacement.**

• Coomber reserve the right to change products and specifications without notice.

• All Coomber equipment is covered by a 12 months warranty against defective components or faulty manufacture from date

of dispatch. Any modifications to or misuse of the equipment renders this warranty void.

• Equipment that is security marked or damaged cannot under any circumstances be exchanged.

## THE CD PLAYER

Ensure the **TAPE/CD selector switch** (4) is **IN** for CD playback

### ATTENTION

In common with many CD players, it takes a few moments for the player to run a diagnostic check. Do not press any buttons until the LCD display has stopped flashing.

PLEASE NOTE: ALWAYS CLOSE THE CD TRAY WITH THE UNIT SWITCHED ON. PUSHING THE TRAY CLOSED WITH THE POWER OFF MAY LEAD TO DAMAGE DURING SUBSEQUENT TRANSPORTATION.

#### CUE/FORWARD SKIP

Press once to skip forward a track, press and hold to cue through the track being played.

#### REVIEW/BACK SKIP

Press once to skip back a track, press and hold to review through the track being played.

#### CD TRAY

Can be closed by pushing gently or by pressing the OPEN/CLOSE button.

#### STOP

Press once to stop playing CD. The CD player will reset itself. Note: Random, Prog and Repeat settings will be lost when STOP is depressed.

#### PLAY/PAUSE

Press once to go play a track. Press again to pause play (seconds counter will flash). Press again to cancel pause mode and continue playing.

#### OPEN/CLOSE

Opens and closes the CD tray. Overrides all other functions.

#### REMOTE SENSOR

Infra red sensor allows operation of CD player by the RM05 remote control.

#### TRACK NUMBER

Up to 99 tracks can be selected and played.

#### TIME CLOCK

Shows total length of CD in minutes and seconds, track time elapsed or total time remaining of any CD playing.

#### REMAIN

Press to show how much total CD playing time remains. Press again to revert to track time elapsed.

#### REPEAT

Press once to repeat current track, press twice to repeat complete CD. Press again to cancel.

#### PROG

Press to programme CD player for personalised playback order (see below).

#### RANDOM

Press to allow the CD player to randomly select the play order of the tracks on the current CD. Press again to cancel.

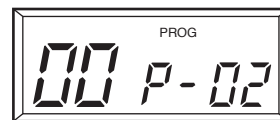
#### INTRO

Press to play the first ten seconds of each track. Press again to cancel.

#### MUTE

Press to mute sound. CD continues to play while MUTE is selected. Press again to cancel.

### Program Mode

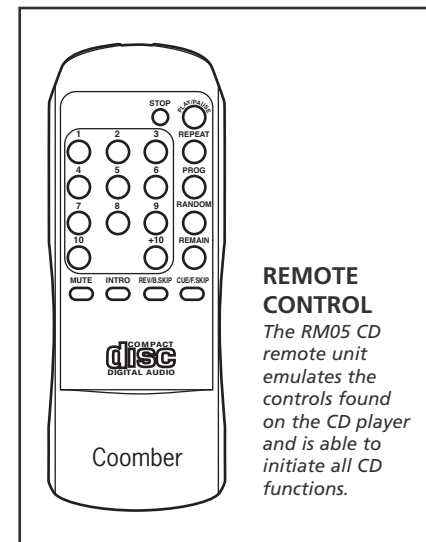


The CD player can be programmed to play any combination of tracks, in any order, on a CD. To do so, simply do the following:-

- 1 Insert a CD and wait for the display to show the number of tracks and the total CD time.
- 2 Press PROG once, then select a track using the REV/B.SKIP or CUE/F.SKIP buttons.
- 3 Repeat the process until all of the required tracks have been included.
- 4 Press PLAY to begin listening. The word PROG is displayed permanently while the programmed play list is playing.

#### Notes

- You can use REV/B.SKIP, CUE/F.SKIP and PAUSE in program mode, but pressing STOP, or ejecting the CD will cancel the memory.
- After 10 seconds of inactivity the PROG mode will shut down. Don't worry, simply press PROG again to return to the mode. Any input information will still be available (up to the last time the PROG button was pressed).

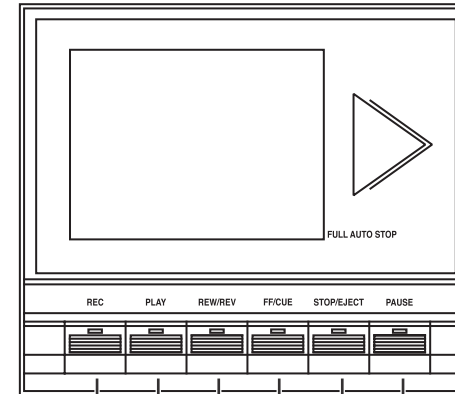


#### REMOTE CONTROL

The RM05 CD remote unit emulates the controls found on the CD player and is able to initiate all CD functions.

## THE CASSETTE RECORDER

Ensure the **TAPE/CD selector switch** (4) is **OUT** for cassette playback



#### PAUSE

Stops tape recording and playback, without disengaging the tape heads and capstan wheel.

#### STOP/EJECT

Opens the cassette door to insert or remove tapes. Stops play, fast forward and rewind functions.

#### FAST FORWARD/CUE

From the STOP position, the cassette will fast-wind forwards.

From the PLAY position, the cassette will fast-wind forwards while the button is pushed down. This allows the user to move forward as required without having to STOP-START the cassette.

#### REWIND/REVIEW

From the STOP position, the cassette will wind backwards.

From the PLAY position, the cassette will wind backwards while the button is pushed down. This allows the user to quickly repeat a passage as required without having to STOP-START the cassette.

#### PLAY

Plays pre-recorded tape.

#### RECORD

Press the REC key to record from microphones, CD or any other external source.

The PLAY button will automatically depress at the same time. One of the indicators (1) will illuminate, showing the record signal source.

### Recording (cassette only)

Insert a blank cassette into the tape deck and depress the RECORD key to begin recording from the selected source.

The record level is automatically set to provide simple, good quality recordings from **External Microphone, Auxiliary input or CD**.

**Note:** it is not possible to record from **CD** and **External sources** at the same time. **External microphones** will only operate in **TAPE** mode.

#### RECORDING FROM MICROPHONE

Ensure the **TAPE/CD selector switch** (4) is in the **OUT** position. This will cause the **i/p** indicator (1) to illuminate while recording.

Plug a suitable external microphone (or microphones), such as the Coomber 1918 or 1808 models (see illustration overleaf), into the **MIC 1** or **MIC 2** record input sockets (2). Recordings **WILL** be in **MONO** only.

Depress the RECORD key on the cassette deck to begin recording. Recording will be in **MONO** only.

#### RECORDING FROM AN EXTERNAL SOURCE

Ensure the **TAPE/CD selector switch** (4) is in the **OUT** position. This will cause the **i/p** indicator (1) to illuminate while recording.

Connect a guitar, keyboard or external music source into the **AUX** socket (3) using a suitable patch lead. Recordings can be in **STEREO** or **MONO** depending upon the nature of the source and the connecting leads used.

Depress the RECORD key on the cassette deck to begin recording.

#### RECORDING FROM A CD

Ensure the **TAPE/CD selector switch** (4) is in the **IN** position. This will cause the **CD** indicator (1) to illuminate while recording.

Insert the CD. Depress the RECORD key on the cassette deck to begin recording and then depress the PLAY button on the CD player.

### Recording difficulties

If your recording is blank, please check that the **TAPE/CD selector switch** (4) was correctly set to **IN** for CD recordings or **OUT** for microphone / external source recordings.

**Note:** If the **RECORD** key on the cassette mechanism cannot be depressed, then check that the left-hand safety tab on the top edge of your cassette has not been removed to protect an original recording. A cassette can be reused by sticking a piece of self adhesive tape over the hole.

### Useful Tips

- You may find, when replaying a recording, that a small amount of distortion is heard at the start, especially when the signal to be recorded is strong (loud). This can be overcome by allowing the automatic level control to settle before recording. Press the **PAUSE** key followed by the **RECORD** key. Allow a few seconds for the level to settle. Release the **PAUSE** key to start the recording.
- Reset the **turns counter** to zero by depressing the **RESET** button whenever you wish to return to the start of a particular passage.
- It is important to keep the pinch wheel and heads clean in the usual manner to ensure consistent good performance.